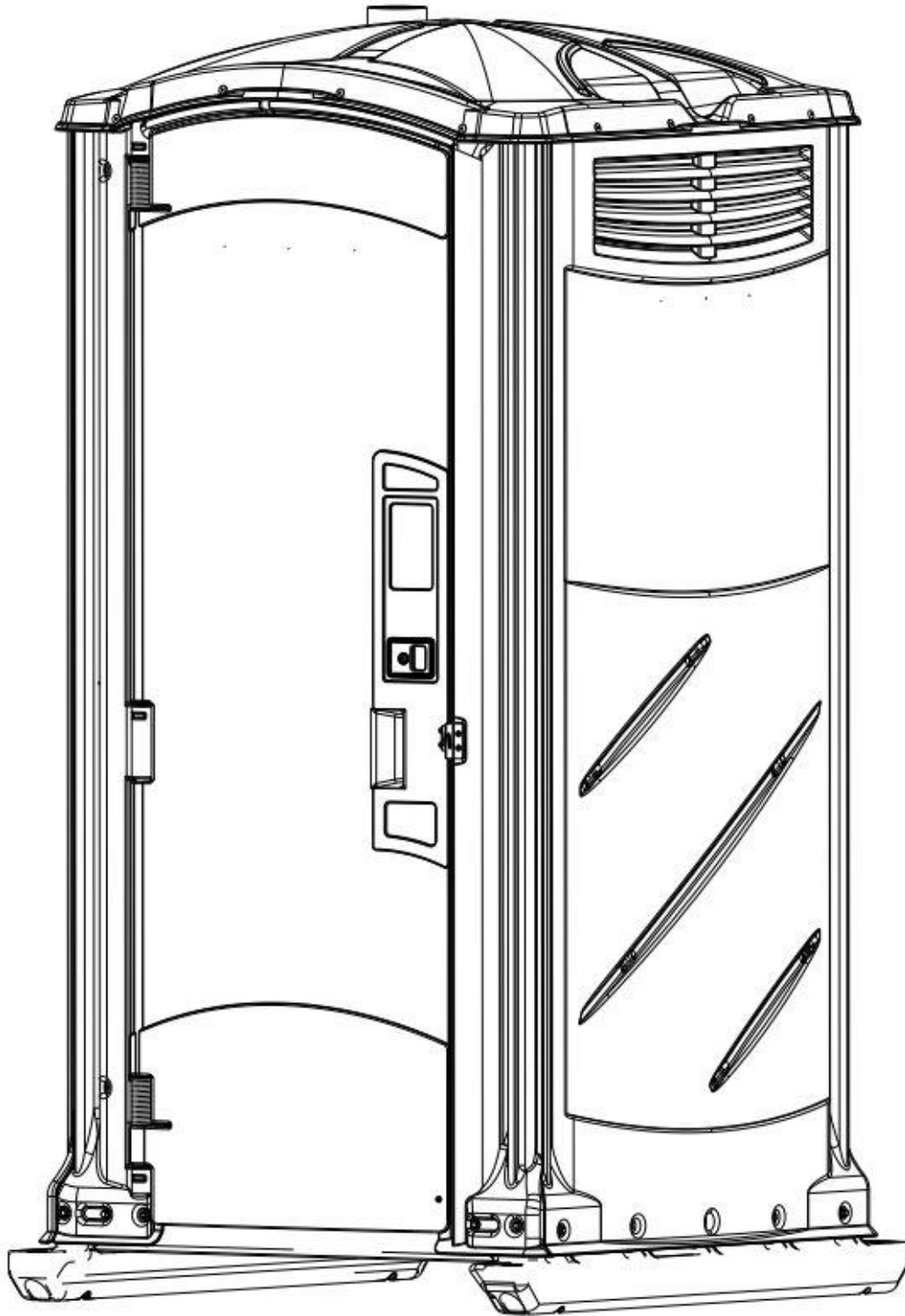
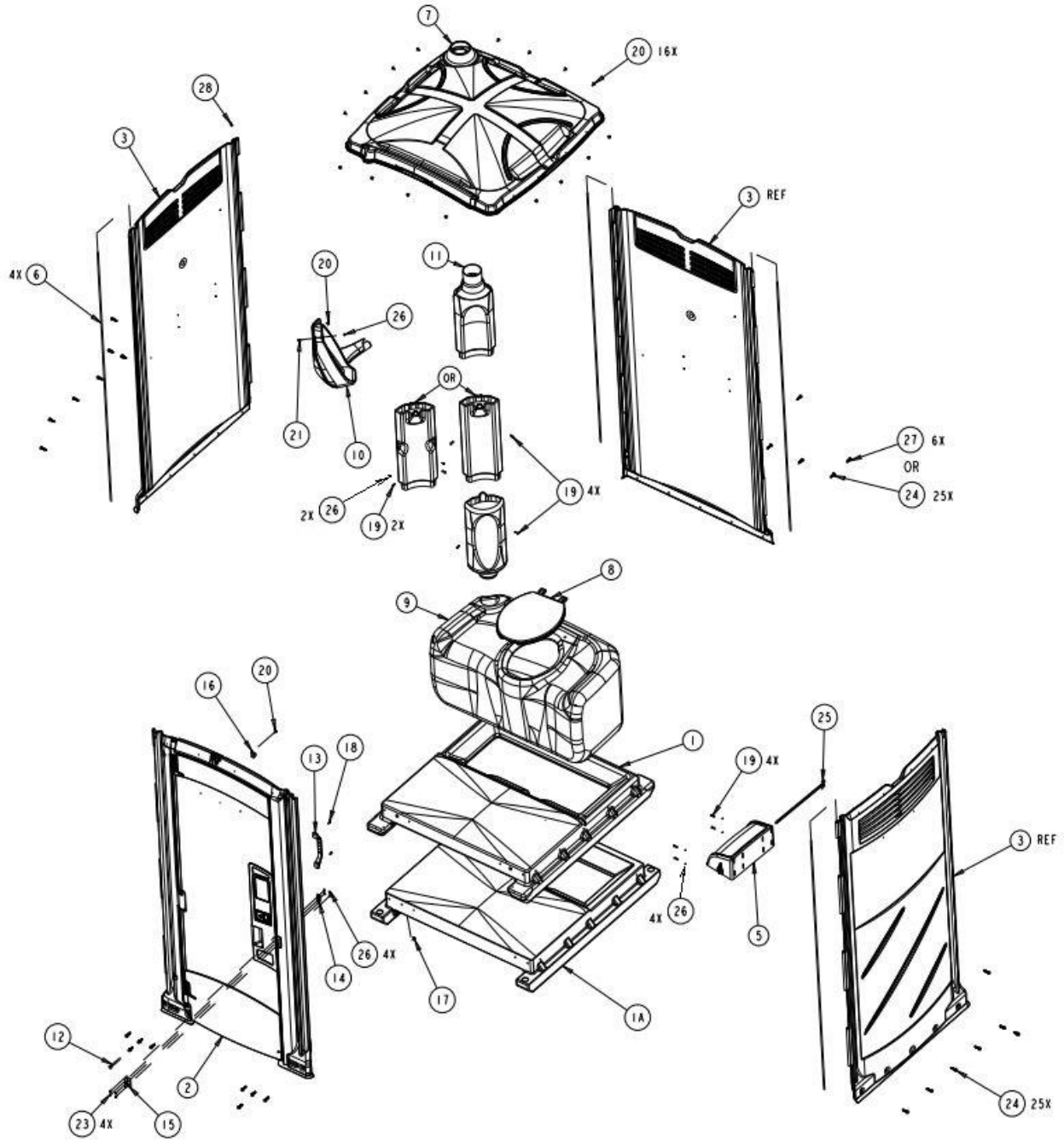


Maxim 3000 II Assembly Instructions



Exploded View



(Diagram # 1)

28	22476	1	SCREW- #10 X 1" PHPN TAP PLTD	(SEE NOTE 1)*
ITEM #	PART #	QTY	DESCRIPTION	

△ HDWE - MAXIM 3000 II (22204)

27	22384	6	BOLT- 1/4-20 X 1 DOG POINT WSH	(SEE NOTE 3)*
26	11315	12	WASHER- 3/16 RIVET STNLS	(SEE NOTE 1)*
25	22310	1	SPINDLE- PRGRD II 3 ROLL METAL	
24	13860	25	SCREW- #14 X 1-1/2 W/WSH GOLD	(SEE NOTE 3)*
23	11270	4	RIVET- #68 STNLS	
22	10812	1	RIVET- #612 ALUM	(SEE NOTE 1)*
21	11024	1	RIVET- #610 AAP	
20	22199	18	RIVET- 3/16 TRIFIX ALUM LF	
19	18543	8	RIVET- 3/16 T PEEL	(SEE NOTE 2)*
18	17030	2	RIVET- AVDEL BLACK	
17	18191	1	NUT- 5/16 SERRATED FLANGE	
16	10891	1	HOOK- FLAT COAT STNLS	
15	13199	1	HASP- 3/16 RIVET HOLE FACING	
14	13197	1	HASP- 3/16 RIVET HOLE DOOR	
13	16807	1	HANDLE- PLASTIC HOVER	
12	13173	1	BOLT- 5/16 X 3-1/2 HWHD	
ITEM #	PART #	QTY	DESCRIPTION	

11	22194	1	VENT PIPE- MAXIM 3000 II 3PC	(SEE NOTE 2)*
10	22193	1	URINAL- MAXIM 3000 II DGRY	
9	22192	1	TANK- MAXIM 3000 II DGRY	
8	14959	1	SEAT- ELONG MX2/MX3/TRS/HT BLK	
7	22191	1	ROOF- MAXIM 3000 II NATURAL	
6	18681	4	ROD- FIBERGLASS 72	
5	22209	1	HOOD- PAPERGRD 3 ROLL DGRY	
△ 1	22204	1	HDWE- MAXIM 3000 II	
3	22186	3	DESIGN- MAXIM 3000 II PANEL	
2	22195	1	DESIGN- MAXIM 3000 II FRT ASSY	
1A	19014	1	BASE- TUFWAY ROTOMOLDED DGRY	
1	22234	1	BASE- BLOWMOLDED	(SEE NOTE 3)*
ITEM #	PART #	QTY	DESCRIPTION	

NOTES:

1. (Item #28 Screw) replaces (Item #22 Rivet) and (Item #26 Washer) QTY (1). Also note that (Item # 28 Screw) is from (Item #2 Front Assembly) where it is used as a shipping screw for door. See pages 11 and 23.
2. (Item #11 Vent Pipe) uses one of two style center sections, the original style uses (Item #19 RIVET) QTY (4), Internally. The new style, with central pinch-offs, uses (Item #19 RIVET) QTY (2), externally at pinch-offs. See pages 19 and 20.
3. (Item # 27 Bolt) QTY (6) replaces QTY 6 of (Item #24 Screw) when using (Item #1 Base, Blowmolded) Note Bolt locations see pages 9 and 10.

Note: Before assembling verify that quantities match the tables on page 3.

Inspect all items for damage.

Read through entire assembly instructions.

Tools Required:

Cordless Drill Rivet Gun Air Compressor
#2 Phillips Bit #10 Drill Bit 3/8" Nut Drive

Additional Tools Recommended:

Soft Blow Hammer 5/16" Drill Bit (12" long) Side Cutter
Collar for #10 Drill Bit (1" depth) Collar for #10 Drill Bit (3/8" depth)
1-9/16" Hole Saw 4-1/8" Hole Saw

Note: For ease of assembly 2 persons may be needed.

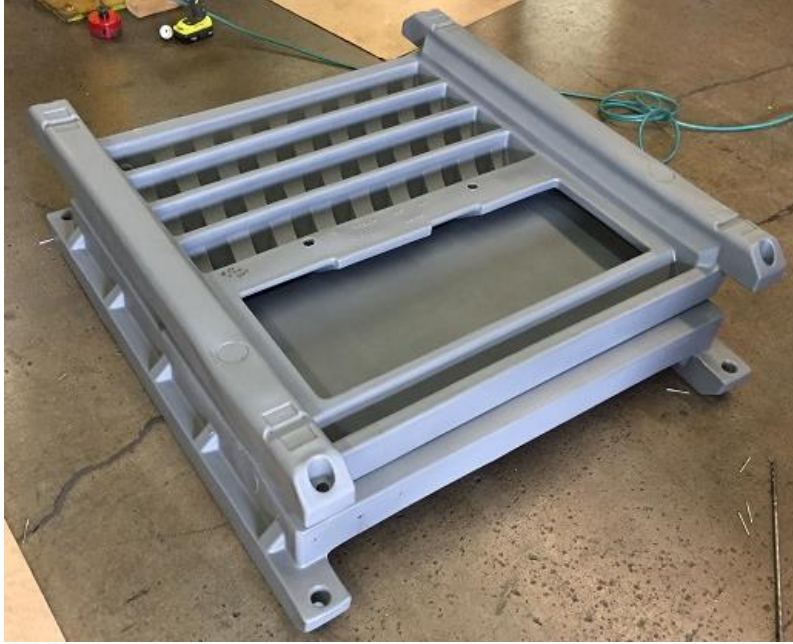


**Drill stop collar set to 3/8" [9,5mm]
on #10 bit.**

**Drill stop collar set to 1" [25,4mm]
on #10 bit.**

A. Shell Assembly

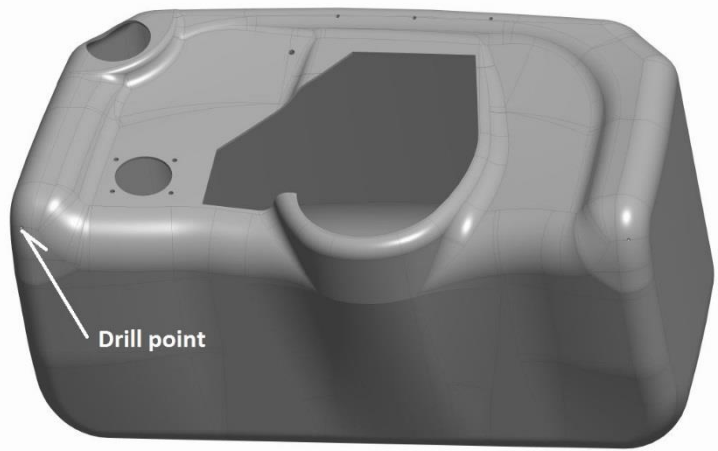
1. Stack 2 Bases as shown (or 1 or 2 pallets with cardboard to prevent damage to the Front) on the ground to raise workspace to a better working height.



2. Lay Front on Bases (or pallets & cardboard) face down.



3. Place Tank (PN 22192) for standard unit, (PN 22307) for Fliptop unit) upright on Front with seat opening toward Side Panel (either one).



PN 22307 (FLIPTOP TANK)

Tank comes without urinal hole drilled. If restroom requires a urinal, drill 1-9/16 hole now with a holesaw at drill point.

4. Place (2) Side Panels next to Front and lean up against Tank and place (4) (PN 18681) Rods on Front.



5. If you are unable to fully insert the rods (P/N 18681) in the following steps, it may be necessary to drill top knuckle of Front and Side Panels with 5/16" drill bit (all the way through top knuckle which is ~4.5" long). A 12" long drill bit is recommended. Can be either pre-drilled or after aligning knuckles in the following steps. Be careful not to drill through the exterior or interior walls of the Front or Panels.



6. Place Side Panel with knuckles aligned.
7. Insert Rod, angled end first, through knuckles of Side Panel and Front. Make sure Rod is through all knuckles and fully seated in bottom knuckle. It will be helpful to twist the rod as it is inserted. Use a soft blow hammer if necessary (particularly for the last inch or so).



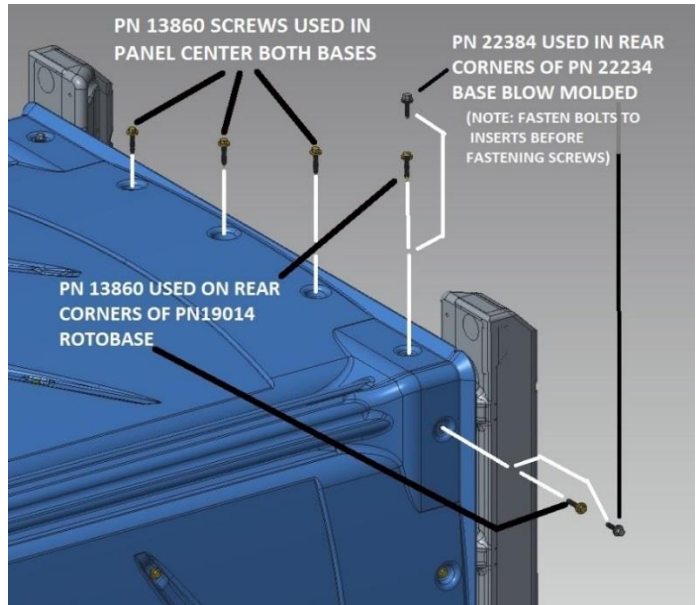
8. Place other Side Panel with knuckles aligned.
9. Insert Rod, angled end first, through knuckles of other Side Panel and Front. Make sure Rod is through all knuckles and fully seated in bottom knuckle. It will be helpful to twist the rod as it is inserted. Use a soft blow hammer if necessary (particularly for the last inch or so).
10. Place third (rear) Side Panel on top of Tank.



11. It may be necessary to drill top knuckle of Side Panel with 5/16" drill bit.
12. Align knuckles of Side Panel and Rear Panel.
13. Insert Rod, angled end first, through knuckles of Side and Rear Panel on one side. Make sure Rod is through all knuckles and fully seated in bottom knuckle. It will be helpful to twist the rod as it is inserted. Use a soft blow hammer if necessary (particularly for the last inch or so).



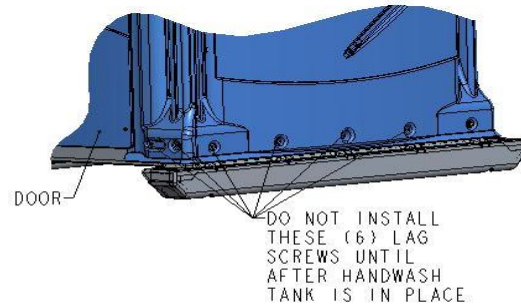
14. Align knuckles of other Side Panel and Rear Panel.
15. Insert Rod, angled end first, through knuckles of Side Panel and Rear Panel. Rod must be through all knuckles and fully seated in bottom knuckle. It will be helpful to twist the rod as it is inserted. Use a soft blow hammer if necessary (particularly for the last inch or so).
16. Set Base in opening of unit with Tank opening towards the Rear Panel. Select proper screws and bolts if required for the Base being used (See Diagram 2 below).



(Diagram 2)

17. For Roto Base (PN 19014) fasten on both sides and rear panel using (PN 13860) lag screws. For Blow Base (PN 22234) use Bolts (PN 22384) in rear corners. Align Bolts (PN 22384) with threaded inserts in Base and fasten first. Install lag screws (PN 13860).

IF UNIT INCLUDES A HANDWASH SEE (PN 22419) HANDWASH INSTALLATION INSTRUCTIONS BEFORE PROCEEDING FURTHER.



(Diagram 3)

18. Tip unit upright and set Front of Base onto stack of bases (or pallets).



19. If assembling onto a RotoBase (PN 19014), install Carriage Bolt & Nut on middle hole on Hinge Facing and install (PN 13860) at inner and outer drill points on Hinge Facing. Install (PN13860) screws into Hasp Facing.

If assembling onto a Blowmolded Base (PN 22234), use Bolt (PN 22384) in holes in center of Hasp & Hinge Facing, look for threaded insert in Base (PN 22234) and fasten Bolts first. Install (4) remaining lag screws (PN 13860) into Front and Base.



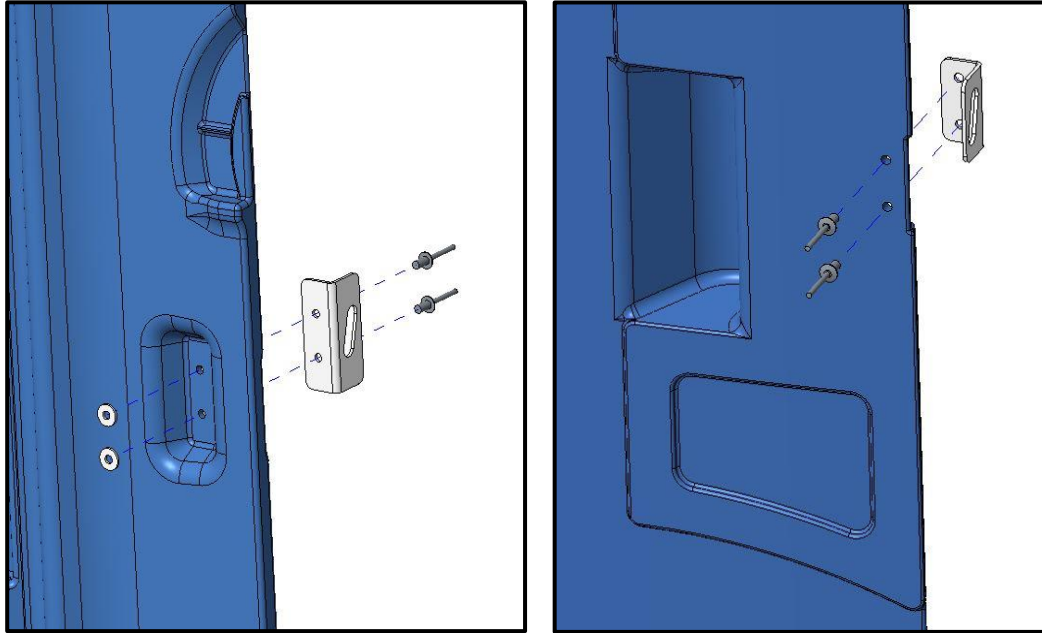
20. Remove shipping screw and save to be reused. (Page 23 Line 16).



21. Open the door and install final lag screw (PN 13860) into drill point through bottom of Hasp Facing and into Base.



22. If holes are not already drilled, drill through (2) drill points on facing & door using #10 drill bit. Install Hasp (PN 13199) on Hasp Facing using (2) stainless rivets (PN 11270) and stainless backup washers (PN 11315). Install Hasp (PN 13197) on Door using (2) stainless rivets (PN 11270). Backup washer is NOT necessary as the rivet will clamp on Hasp.



23. This step may require 2 persons. Place Tank properly (sit on Tank) and lag Tank into place at (4) locations (2 through drill points on Rear Panel, one through drill points on either Side Panel).



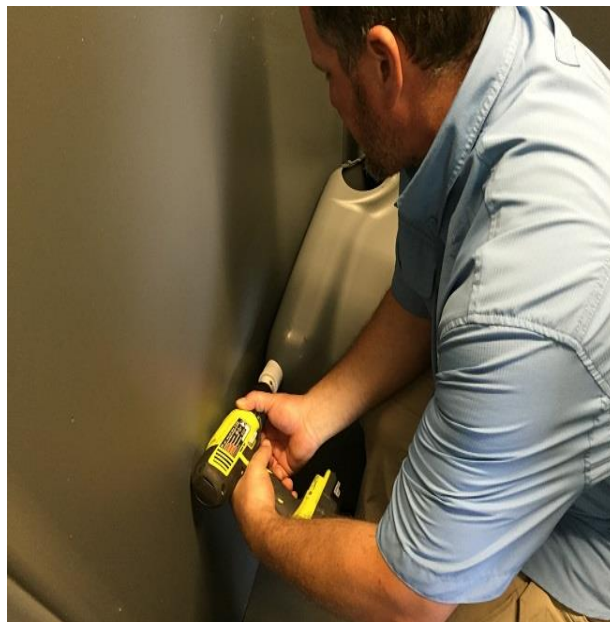
B. Accessory Assembly

1. Remove bottom section of Vent Pipe, located inside the tank, through seat opening and place it into vent hole in Tank. Insert fully.

If the bottom Section of the vent pipe is difficult to install into the tank. It may be necessary to re-drill Vent hole in Tank using 4-1/8" hole-saw. Make sure new hole is drilled vertically. Run the drill in "reverse" to prevent damage to the Tank.



2. If this unit includes a Urinal, install it through hole in Tank as shown. If the urinal is difficult to insert into the tank, it may be necessary to drill out the Urinal hole in Tank using 1-9/16" hole-saw. Drill out hole parallel to Side Panel. Run the drill in "reverse" to prevent damage to the tank.



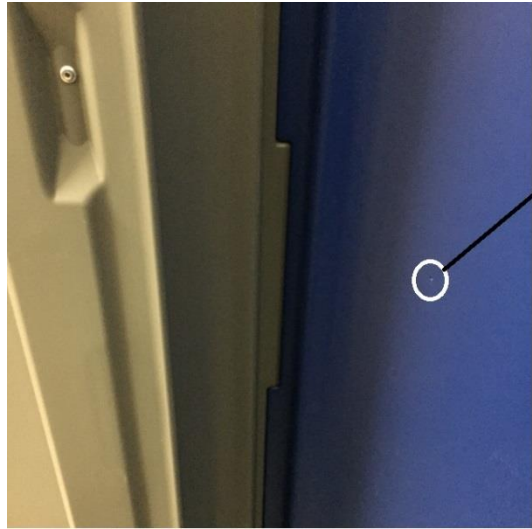
3. Remove Paper Guard and remaining Vent Pipe sections through seat opening.
4. **NOTE** IF THE VENT PIPE KIT INCLUDES A CENTER SECTION VENT PIPE WITH 2 PINCH-OFFS SKIP TO STEP 4-ii. (See page 2 Diagram 1 (Item # 11) for Center Pipe styles)

Using #10 drill bit, drill the following:

- i. (2) Holes through opening of bottom section of Vent Pipe through double-wall area of LH Side and Rear Panel. Make sure to only drill through first wall of panels. It may be helpful to use a collar set to 1" to prevent drilling through outer wall. IF THIS UNIT INCLUDES A HANDWASH, SKIP TO STEP 4-iii.

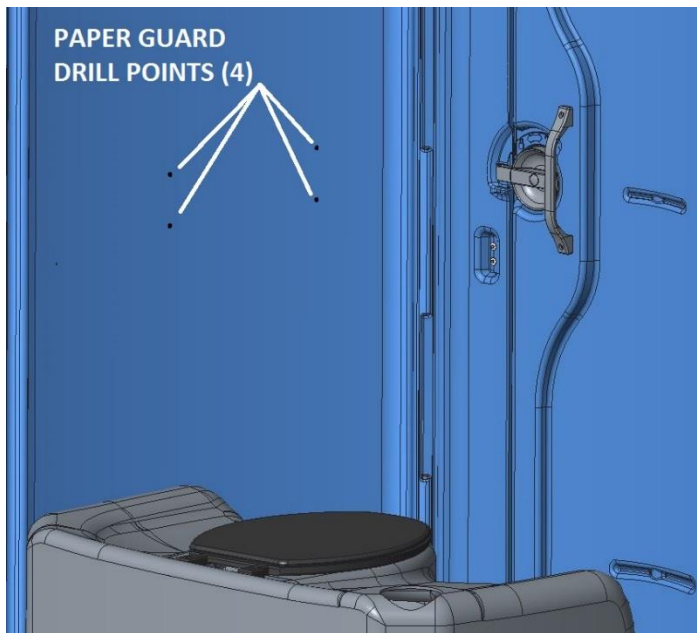


- ii. Through the drill point for the Urinal on the LH Side Panel. Make sure to only drill through first wall.

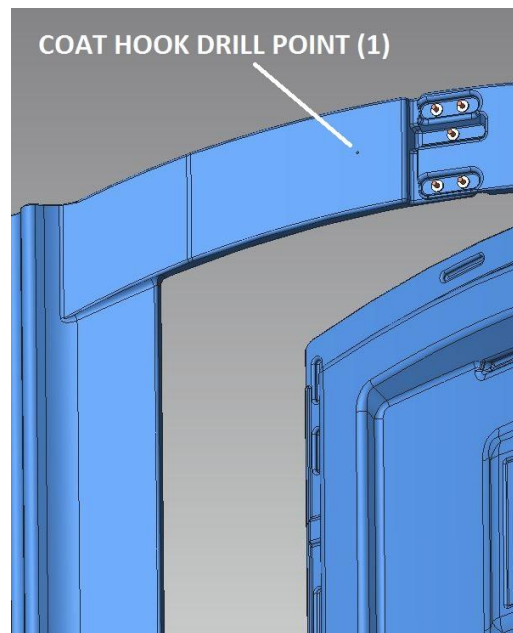


**Urinal drill point
on Left Panel**

- iii. Through Coat Hook drill point on top of Hasp Facing near the center. Make sure to only drill through first wall. It may be helpful to use a collar set to 3/8" to prevent drilling through outer wall. (See Diagram #5)
SKIP TO STEP 4-v. IF THIS UNIT INCLUDES A HANDWASH.
- iv. IF THIS UNIT DOES NOT INCLUDE A HANDWASH, drill through the (4) drill points on the RH Panel for the Paper Guard using a #10 drill bit. DO NOT USE A LARGER BIT. These drill points may be very discreet and are difficult to locate. Use caution to only drill through the first wall of the panel. It may be helpful to use a collar set to 3/8" to prevent drilling through outer wall. (See Diagram #4)

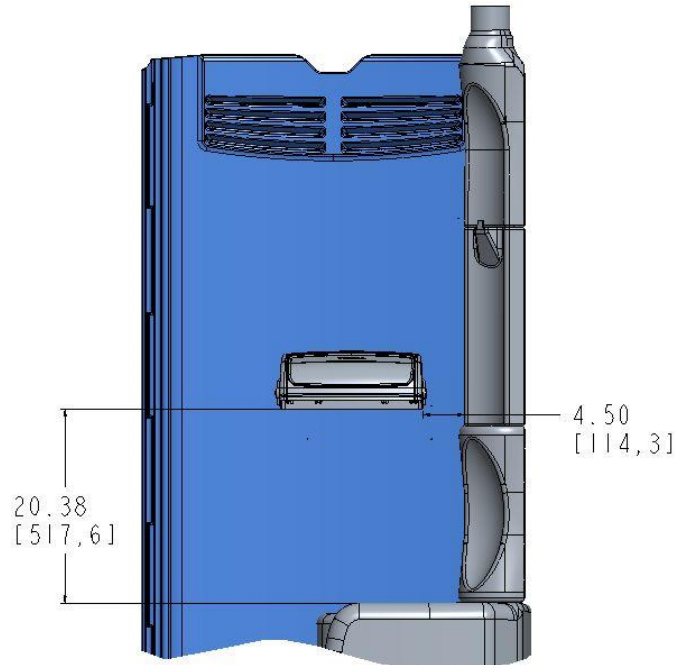


(Diagram 4)

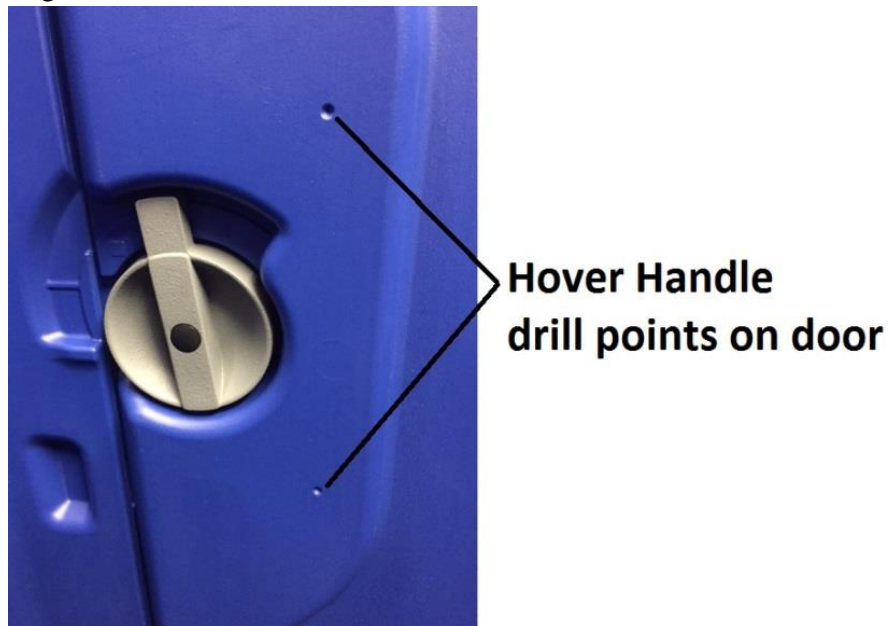


(Diagram 5)

- v. For units with a handwash, locate Paperguard as shown below on the LH panel and mark the 4 hole locations. Then drill the 4 holes. Use caution to only drill through the first wall of the panel. It may be helpful to use a collar set to 3/8" to prevent drilling through outer wall.



- vi. If not already drilled from the molder, drill through (2) drill points on door for Hover Handle. It may be helpful to use a collar set to 3/8" to prevent drilling through outer wall.



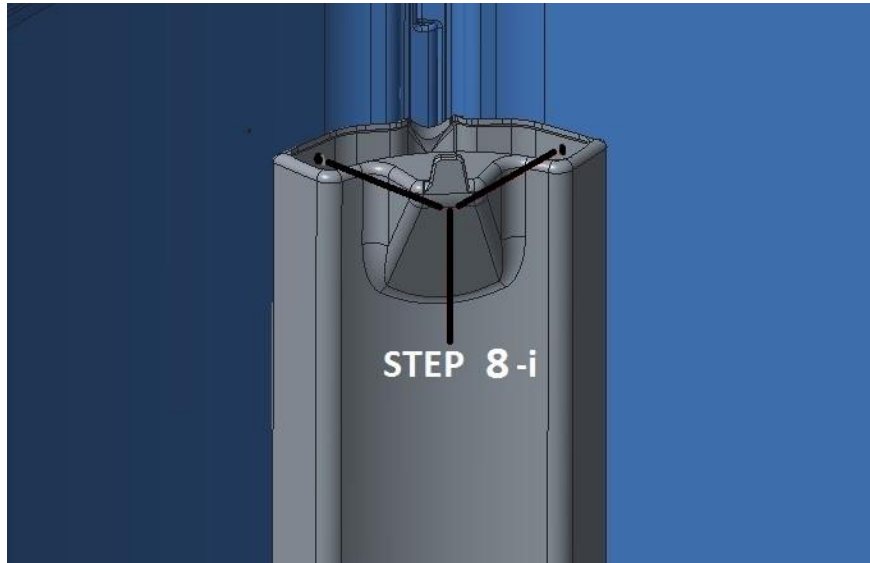
5. Install Paper Guard using (4) rivets (PN 18543) and (4) washers (PN 11315). Place washers under the head of the rivet before installation.
6. Insert Spindle (PN 22310) into Paper Guard.



7. Rivet bottom section of Vent Pipe to Side and Rear Panel using (2) rivets (PN 18543).
NOTE IF THE VENT PIPE KIT INCLUDES A CENTER SECTION VENT PIPE WITH 2 PINCH-OFFS SKIP THIS STEP.

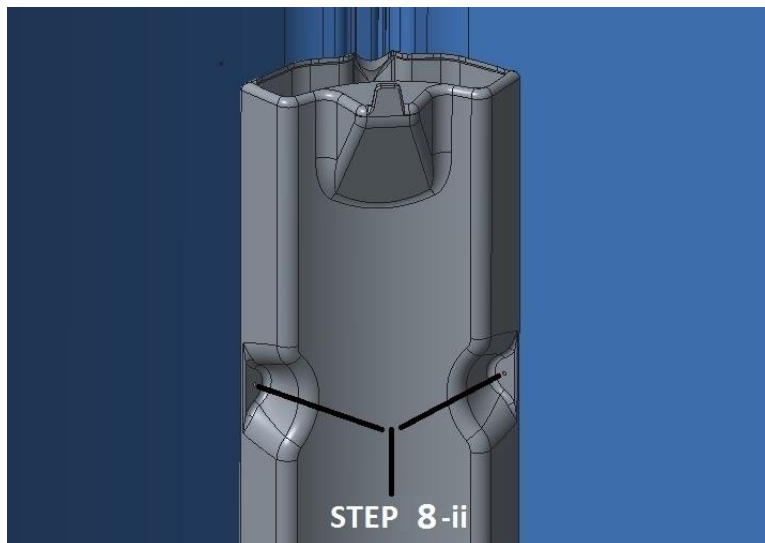


8. Insert center section of Vent Pipe into bottom section of Vent Pipe and Insert fully. Follow step 8-i. or step 8-ii depending on which style center section you have.
 - i. Drill (2) holes using #10 drill bit through opening of center section Vent Pipe through double-wall area of LH Side Panel and Rear Panel. Make sure to only drill through first wall of panels. It may be helpful to use a collar set to 1" to prevent drilling through outer wall. (See Diagram #6)



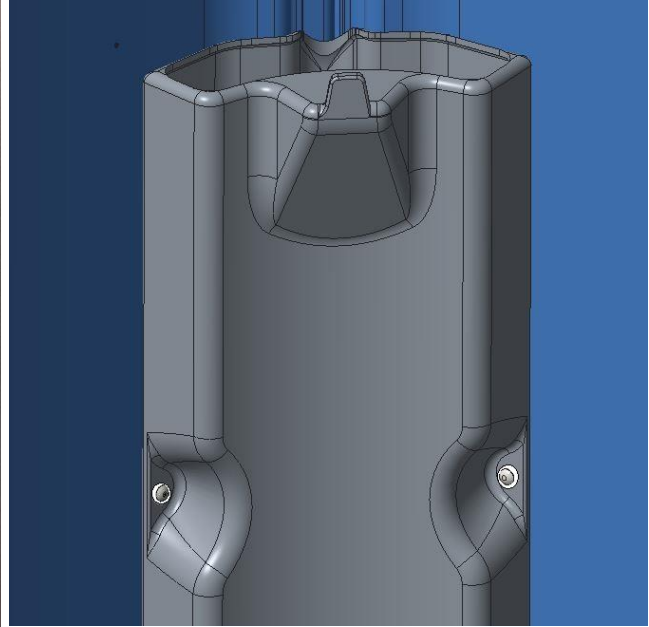
(Diagram 6)

- ii. Drill (2) holes, using #10 drill bit with stop set to 3/8, through pinch-offs on center section Vent Pipe and start into double-wall area of LH Side Panel and Rear Panel. Remove center section and finish drilling with #10 drill set at 3/8. Make sure to only drill through first wall of panels. (See Diagram #7)



(Diagram 7)

9. Rivet middle section of Vent Pipe to Side and Rear Panel using (2) rivets (PN 18543).



NOTE: Center section of this style uses a washer (PN 11315) under rivet head (PN 18543)

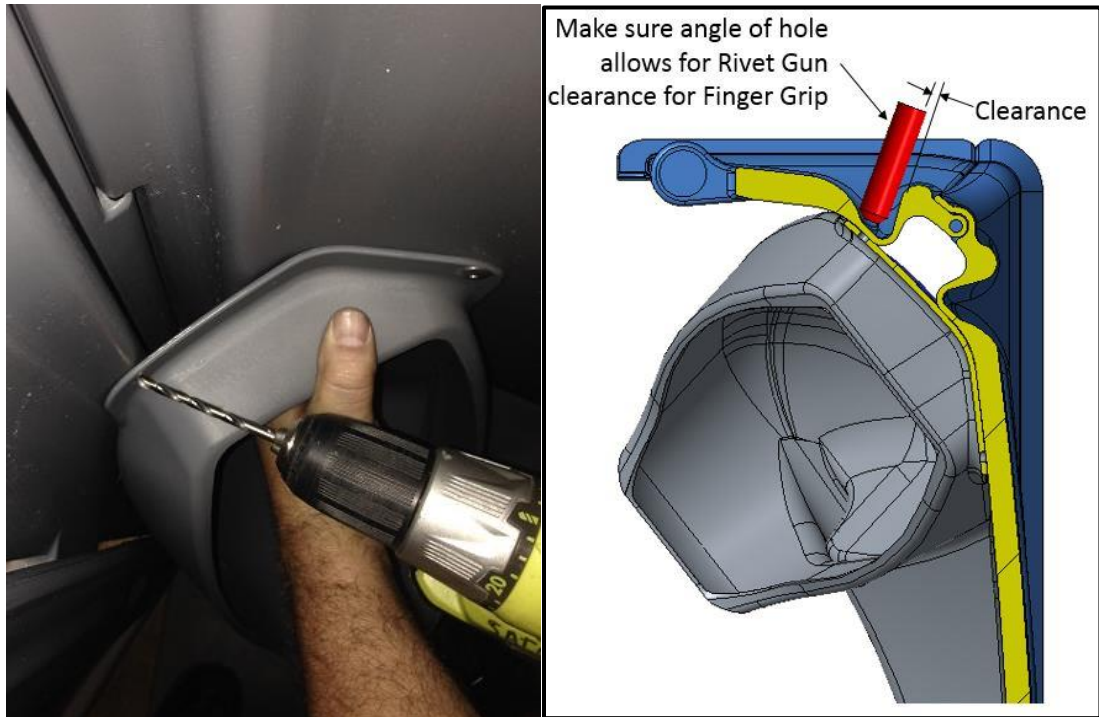
10. Insert top section of Vent Pipe into middle section of Vent Pipe. Insert fully. It may be helpful to pull the purse hook towards you to fit the top section into the middle section.



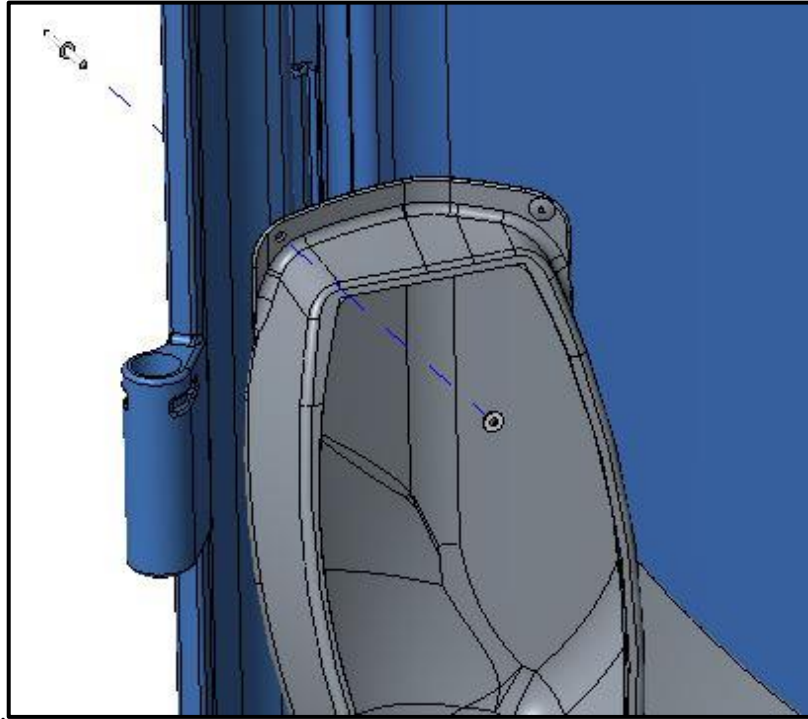
11. Rivet Urinal to LH Side Panel with expanding rivet (PN 22199). IF UNIT DOES NOT INCLUDE A URINAL SKIP TO STEP 14.



12. Drill through hole on other side of Urinal and all the way through finger grip area of Front Hinge Facing. Angle drill away from finger grip (as shown below) to allow clearance for rivet gun.



13. Install rivet (PN 11024) from outside through Hinge Facing and Urinal using backup washer (PN 11315).



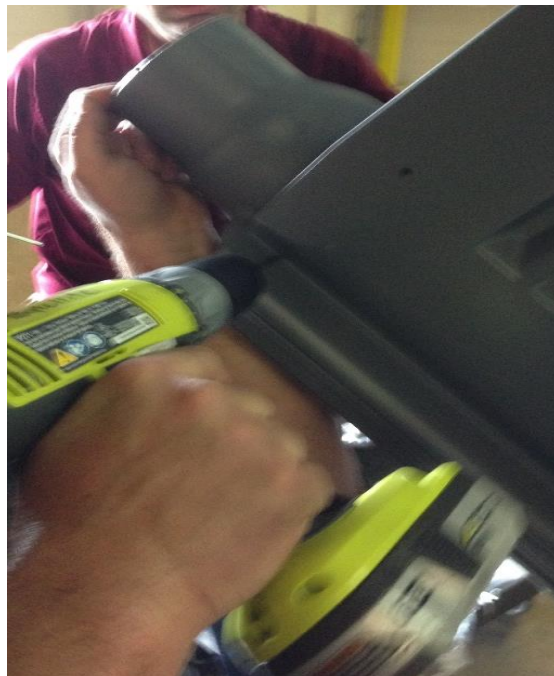
14. Install Coat Hook using expandable rivet (PN 22199).



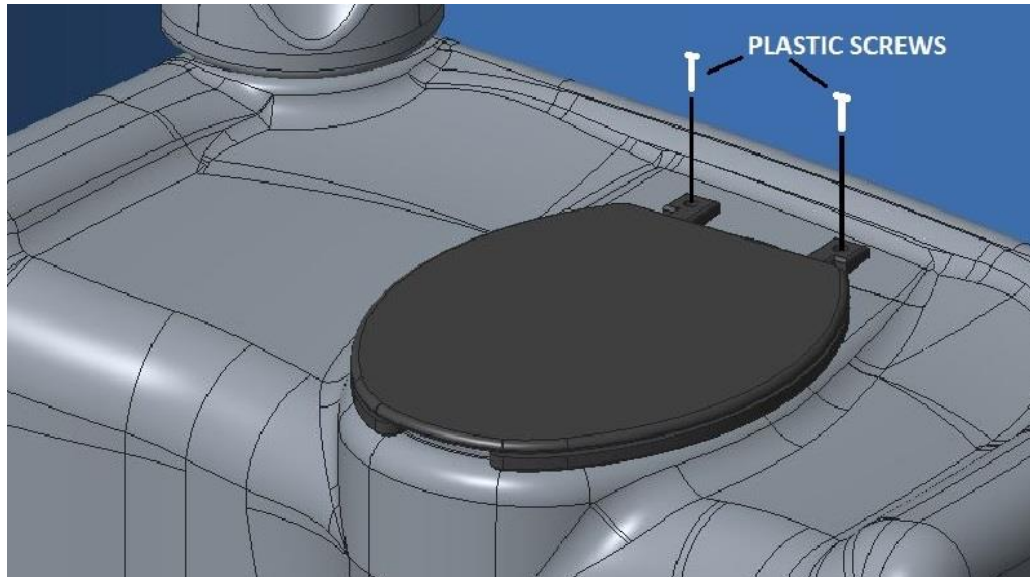
15. Install Hover Handle using black avdel rivets (PN 17030).



16. Reuse shipping screw (Page 11 line 20) to fasten Vent Pipe and LH Panel (through finger recess) 1-1/4" from top of Panel.



17. Install Seat (PN 14959). Take care not to overtighten the plastic screws or they may break.



C. Roof Assembly

1. Place Roof (PN 22191) over unit and pull down firmly over Vent Pipe.
2. Install (16) expandable rivets (PN 22199) through holes in Roof and into Front and Panels.

