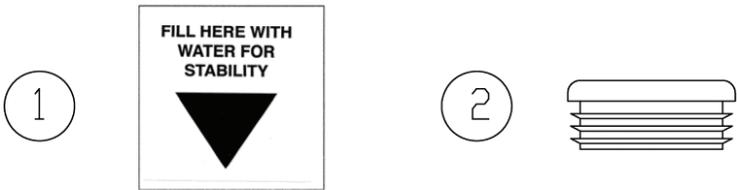
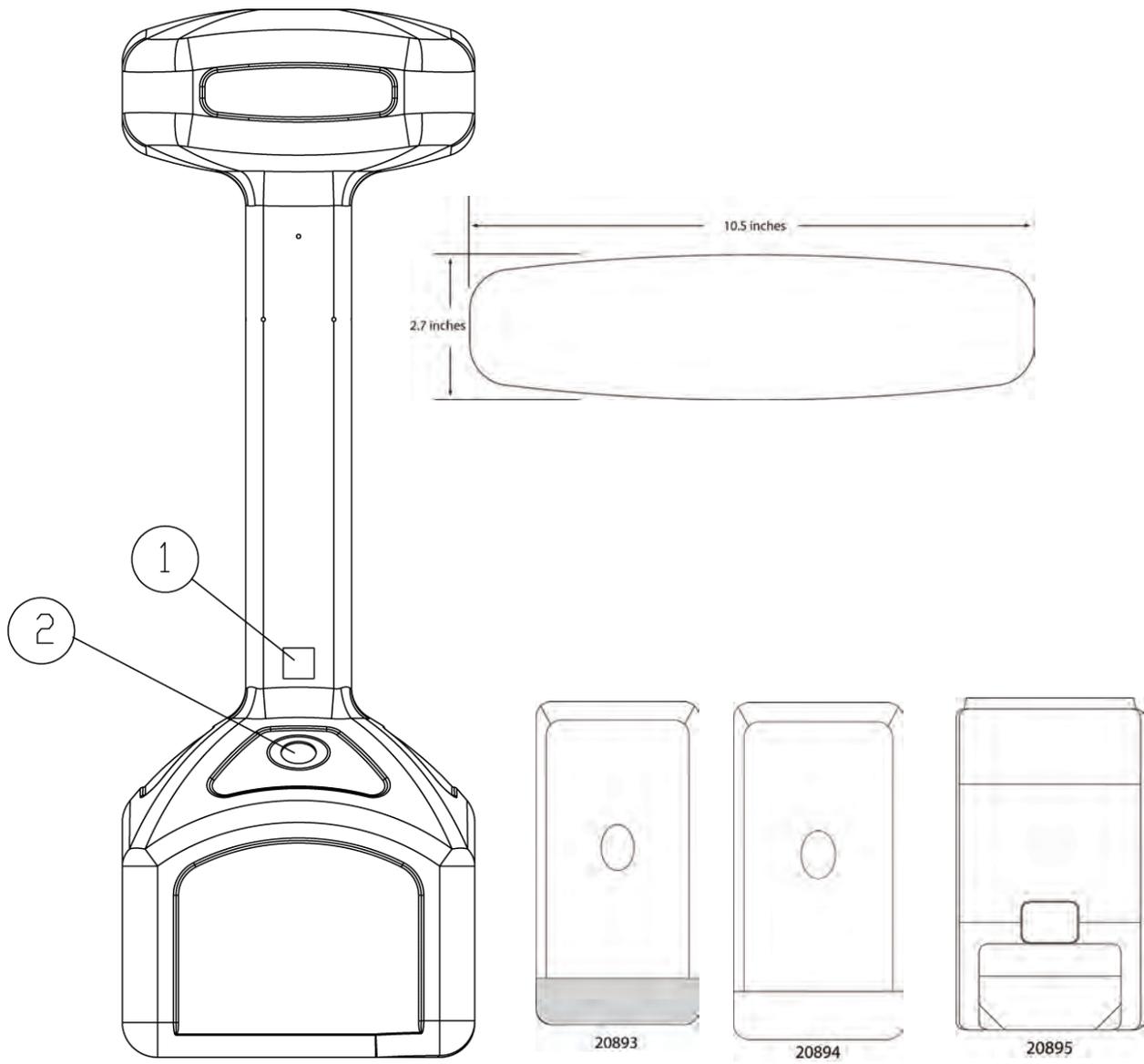




2019 parts catalog

HANDISTAND



REV C ITEM #	PART#	QPU	DESCRIPTION	PRICE EACH
	20847	NO DISPENSERS	HANDISTAND	CALL
	20893		KIT- 800ML DISPENSER (EA) BLACK	
	20894		KIT- 1000ML DISPENSER (EA) BLACK	
	20895		KIT- FOAM DISPENSER (EA) BLACK	
1	20889	1	DECAL- HANDISTAND STABILITY	
2	21124	1	PLUG ASSY- 2in DOME W/TETHER	
	21083	4	DECAL- HANDISTAND	

Can't Sleep?

Shop Online and Save 5%



satelliteindustries.com



Regional Managers & Territories



Northwest

John Sprenger

763-519-6544

johns@satelliteindustries.com



Northeast

Josh Carmichael

574-350-2162

joshuac@satelliteindustries.com



South Central

Matt McClure

763-519-6521

mmcclure@satelliteindustries.com



Southwest

Tim White

763-519-6543

timw@satelliteindustries.com



Southeast

Gordy Hunt

763-519-6520

ghunt@satelliteindustries.com



Texas

Ryan Foley

763-519-6526

ryanf@satelliteindustries.com



West

Bryan Lowe

763-519-6540

blowe@satelliteindustries.com



North Central

Mark Elhardt

763-551-7230

marke@satelliteindustries.com



Québec

Adrian Tummel

+32/2-542-56-55

adriant@satelliteindustries.com



Mountain

Jeff Sprenger

763-519-6527

jsprenger@satelliteindustries.com



Great Lakes

Paul Jongert

763-519-6546

paulj@satelliteindustries.com

Strategic Account Manager

Ryan Anthony

763-519-6548

ryana@satelliteindustries.com

Online Ordering

satelliteindustries.com | safetfresh.com

Customer Service

Restrooms: 800-883-1123 | Fax: 800-328-3334
Safe-T-Fresh: 877-764-7297 | information@satelliteindustries.com